

## SMS-400B

*Strobo Vision - Handheld Stroboscope**Features*

- High illuminance for industrial applications
- Easy one-hand operation with x2 and ÷2 buttons for a rapid increase / decrease of FPM and fine adjustments
- Removable and rechargeable NiMH-battery with long operation duration
- Phase-shift function for position adjustments and slow-motion effects

*Details*

Series SMS-400 stroboscopes are suitable for non-contact RPM measurements and for observation of fast, repeated motions of machines, their moving components or handled material from a distance of 20 to 50 cm.

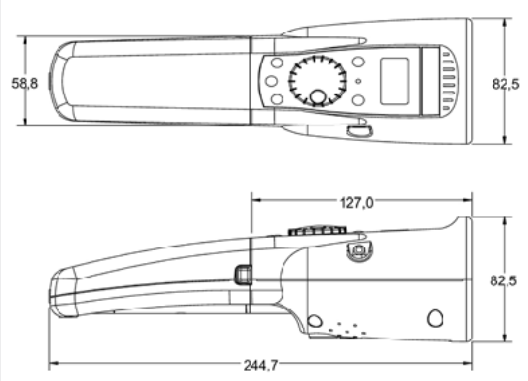
The revolving or oscillating machine component can be visualised as a stop-motion picture by adjusting the light flashes synchronously to the rate of the movement.

With the multiplier/divider function, the actual RPM or frequency of the motion can be determined accurately. The phase-shift function enables visual positioning of the observed component, as well as the incremental observation of a complete course of motion in 5° steps.

Due to its flash rate with low deviation from the actual motion frequency, the courses of motion can be observed under a slow-motion effect.

## Order Info

### SMS-400B



Standard

Hand-held stroboscope with removable and rechargeable battery pack, universal battery charger with exchangeable plugs, spare flash tube and operation manual in carrying case.

Option

*SMS-800* Calibration certificate – Stroboscopes  
*SMS-932* Spare removable, rechargeable battery 2,6Ah  
*SMS-908* Spare flash tube  
*SMS-942* Tripod

## Spec

		SMS-400B
Range		40...12.500FPM
Accuracy		0,01% (+/-0,5 FPM)
Resolution	0,1	FPM
Phase Shift		360° (increment 5°)
Multiplier		X 2   X ½
Output Signal	Type / Specification	5 V TTL   Low <0,5V / High>4,0V / pulse length 20-24µs
Input Signal	Type / Specification	5 V TTL   Low <0,8V / High>2,8V / pulse > 5µs
Display	Display type	2x8-digit Dot-Matrix
Illuminance	50 cm distance	> 400 Lux @ D=10cm
	6.000 fpm	> 150 Lux @ D=20cm
Flash Tube	Type	Xenon 10 W
	Life time	> 100 mio flashes
	flashing time / flash energy	10...15 µsec / ~ 154 mJ
Battery	Type	Removable rechargeable NiMH battery pack 2,6Ah
	operation/ recharge time	app. 120 min @ 1500 fpm / app. 2-4 h
	overcharge protection	✓
Power Supply	Battery charger	100...240 VAC (50...60Hz) universal adapter EU/USA/GB/AUS
Temperature Range	Operation 10...40°	C
	Storage -20...45°	C
Weight	Instrument with battery	640 g
Housing Material	Polycarbonate	
Tripod Fixing		1/4-20unc, length 8mm



**PEEKEL**  
INSTRUMENTS

PEEKEL INSTRUMENTS B.V.

Industrieweg 161, 3044 AS Rotterdam.

Tel +31 (0)10 415 27 22 Fax +31 (0)10 437 68 26.

Internet: [www.peekel.nl](http://www.peekel.nl) E-mail: [info@peekel.nl](mailto:info@peekel.nl)