



Load Measuring Pin

LMP

Features

- Ranges 500 kg (5 kN) to 1500 ton (15000 kN).
- Stainless Steel Construction
- Environmentally Sealed to IP67 (IP68 can also be offered)
- Anti-rotation plate supplied, if required
- Hose Protected Cable option
- Many special design options available
- Can be supplied with amplified output
- Can be supplied with integral connector
- Versions available to meet Offshore and Marine specifications
- Application/Technical Sheet & Design Support Software available



Description

The range of Load Measurement Pins are designed for general use. They are machined from high tensile stainless steel and are normally supplied complete with an anti-rotation plate.

They are built to exacting standards and are suitable for use in exposed situations and can be supplied to withstand immersion in seawater.

This range of load cells is Proof Loaded to 150% of the normal rated load.

We offer a standard range of pins, covering the ranges between 2.5 ton to 50 ton. However the nature of this style of product means that most pins are manufactured to meet customers' specific dimensional requirements.

Where special dimensions are required, this range is available, covering ranges between 500kg and 1500 ton.

The LMP range can be supplied as shown in this datasheet or can be modified to meet a particular application requirement. We are always pleased to discuss any special requirements that can be accommodated.

The LMP series can be supplied on it's own or combined with our extensive range of instrumentation to provide a complete load monitoring system.



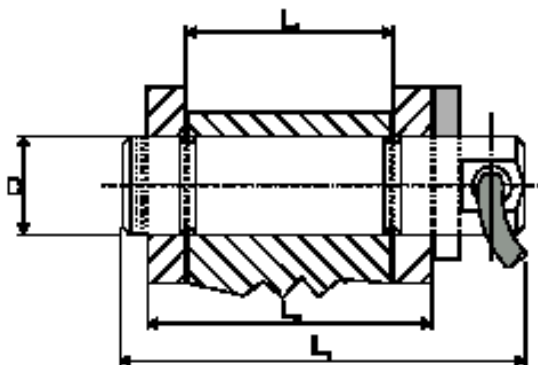
Load Measuring Pin

LMP

Specification

Rated Load (ton):	0.5, 1, 2.5, 3.5, 6.5, 15, 25, 50, 100, 250, 500, 750, 1000, 1500
Proof Load:	150% of Rated Load
Ultimate Breaking Load:	>300% of Rated Load
Output:	1.5 mV/V at Rated Load (nominal)
Non-Linearity:	<±0.25% to ±2% (see note)
Non-Repeatability:	<±0.04% of Rated Load (see note)
Excitation Voltage:	10vdc recommended, 15vdc maximum
Bridge Resistance:	350Ω
Insulation Resistance:	>500MΩ @ 500vdc
Operating Temperature Range:	-20 to +70°C
Compensated Temperature Range:	-10 to +50°C
Zero Temperature Coefficient:	<±0.010% of Rated Load/°C
Span Temperature Coefficient:	<±0.010% of Rated Load/°C
Environmental Protection Level:	IP67
Connection Type:	3 metres 4-core screened PUR cable
Wiring Connections:	Red +ve supply Blue -ve supply Green +ve signal Yellow -ve signal
Options Available:	Special ranges and sizes available Special electrical connections Integral signal conditioning Submersible versions available Hose protected cable

Note: Non-linearity and Non-repeatability performance may vary due to geometry of the LMP. This is normally dictated by the location and application.



	D	L ₁	L ₂	L ₃
LMP-25-70 2.5 tonne	25	100	70	45
LMP-30-75 3.5 tonne	30	105	75	50
LMP-40-95 6.5 tonne	40	125	95	63
LMP-50-114 15 tonne	50	150	114	75
LMP-63-152 25 tonne	63	195	152	89
LMP-75-175 50 tonne	75	225	178	102